



What is the FluidReg?

The FluidReg is an independent membrane regulator that can be installed in every fluid or compressed air pneumatic system. It supplies a constant, exact outlet pressure regardless of the input pressure. The pressure is factory-set and cannot be changed. This ensures that nobody can alter the specified pressure. It is well known that the pressure of a water or fluid line normally is too high, fluctuates, and varies according to the height of the building. In that case, the in-line FluidReg protects all equipment and components placed after it, so that they will only receive the correct pressure. This is particularly important for all machinery/plants for/or with dosing of liquids, as this will prevent stops in production. Furthermore, if the FluidReg is combined with a sprinkler nozzle, the best basis for cooling/cleaning by means of water, spray or fog is created.

What is the EcoReg?

The pressure regulator ensures a constant and precise outlet pressure independent from the inlet pressure. The pressure value has been factory preset and cannot be changed. This ensures that no one can manipulate the specified pressure value. The choice of high quality materials allows the EcoReg® to be used in various applications across different industries. Be it in water dispensers, in different irrigation systems or in respiratory oxygen machines. The EcoReg® with its preset pressure will prevent unwanted pressure manipulation and protect the machines or help reduce wastage of water.

Fluid Regulator Benefits

- NSF certified (EcoReg)
- Service free - no adjustments needed
- Factory preset pressure & tamperproof
- Small footprint & lightweight
- Reduces consumption
- Easy to mount in any water supply system

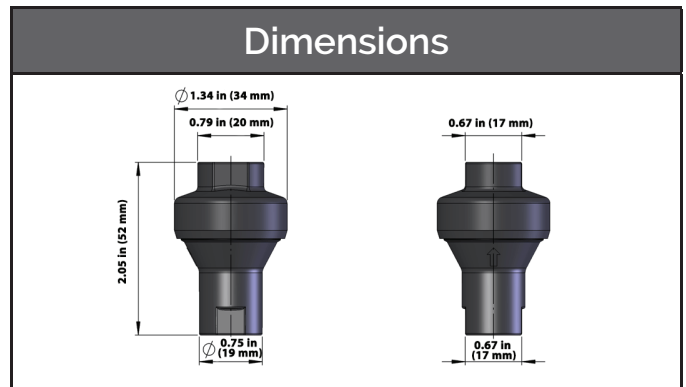


Fluid Regulators

Technical Specifications	
Max Inlet Pressure	Water: 10 bar/145 psig Other gases: 18 bar/260 psig
Size (output pressure)	15, 30, 45, 60, 75, 90, 120 psi
Flow (water)	7 l/min / 0.25 scfm
Size	1/4"
Thread Connection	Female/Female, NPT, BSP
Temperature Range	Water: 4°C to 60°C (39°F to 140°F) Gases: 0°C to 60°C (32°F to 140°F)
Weight	40 grams/0.11 oz
Materials	FluidReg: Housing: Grivory® Spring: DIN 1.4310 / AISI 301 Valve Seat: PPH Spindle: DIN 1.4404 / AISI 316L
	EcoReg: Housing: Brass nickel plated Diaphragm: Nitrile / FPM Spring: Stainless Steel Valve Seat: PPH

Regulatory Compliance
<ul style="list-style-type: none"> DIN 50930-6 / FDA/EU drinking water directives, NSF/ANSI 169 and all applicable requirements. (EcoReg)

Installation
<ul style="list-style-type: none"> The regulator ensures that a constant pressure is always maintained, despite the normal pressure fluctuations in a system. The regulator is intended for use with various fluids such as Oxygen or other media or with compressed air. To avoid unnecessary loss of pressure in long pipes or hoses, the regulator has to be mounted as close as possible to the point of consumption.



Applications	
<ul style="list-style-type: none"> Water dispensers Coffee & drink machines Filling machines Cooking ovens Fridges & ice makers Plumbing 	<ul style="list-style-type: none"> Respiratory equipment Laboratory dosing equipment Pharmacies Irrigation systems Sprinklers Misting

THREAD CONNECTION	MAX INLET PRESSURE	MAX REGULATED OUTPUT PRESSURE	MAX FLOW (Water)	MAX FLOW (Gas)	TOLERANCES	FLUIDREG PART NUMBER	ECOREG PART NUMBER
1/4" NPT	145 psig	15 psig	3000 ml/min	400 l/min / 14.2 scfm	± 2 psig	PWR239AS1215	PER239KS1215
1/4" NPT	145 psig	30 psig	4000 ml/min	600 l/min / 21.3 scfm	± 4 psig	PWR239AS1230	PER239KS1230
1/4" NPT	145 psig	45 psig	4000 ml/min	700 l/min / 24.7 scfm	± 4.5 psig	PWR239AS1245	PER239KS1245
1/4" NPT	145 psig	60 psig	4000 ml/min	700 l/min / 24.7 scfm	± 6 psig	PWR239AS1260	PER239KS1260
1/4" NPT	145 psig	75 psig	4000 ml/min	700 l/min / 24.7 scfm	± 7.5 psig	PWR239AS1275	PER239KS1275
1/4" NPT	145 psig	90 psig	4000 ml/min	800 l/min / 28.3 scfm	± 9 psig	PWR239AS1290	PER239KS1290
1/4" NPT	145 psig	100 psig	4000 ml/min	800 l/min / 28.3 scfm	± 10 psig	PWR239AS12100	PER239KS12100
1/4" NPT	145 psig	120 psig	4000 ml/min	800 l/min / 28.3 scfm	± 10 psig	PWR239AS12120	PER239KS12120



Protect-Air USA
Miniature Regulators Distributed by
PROPORTIONAIR

877-406-3215

info@proportionair.com

Buy online at ProtectAirUSA.com