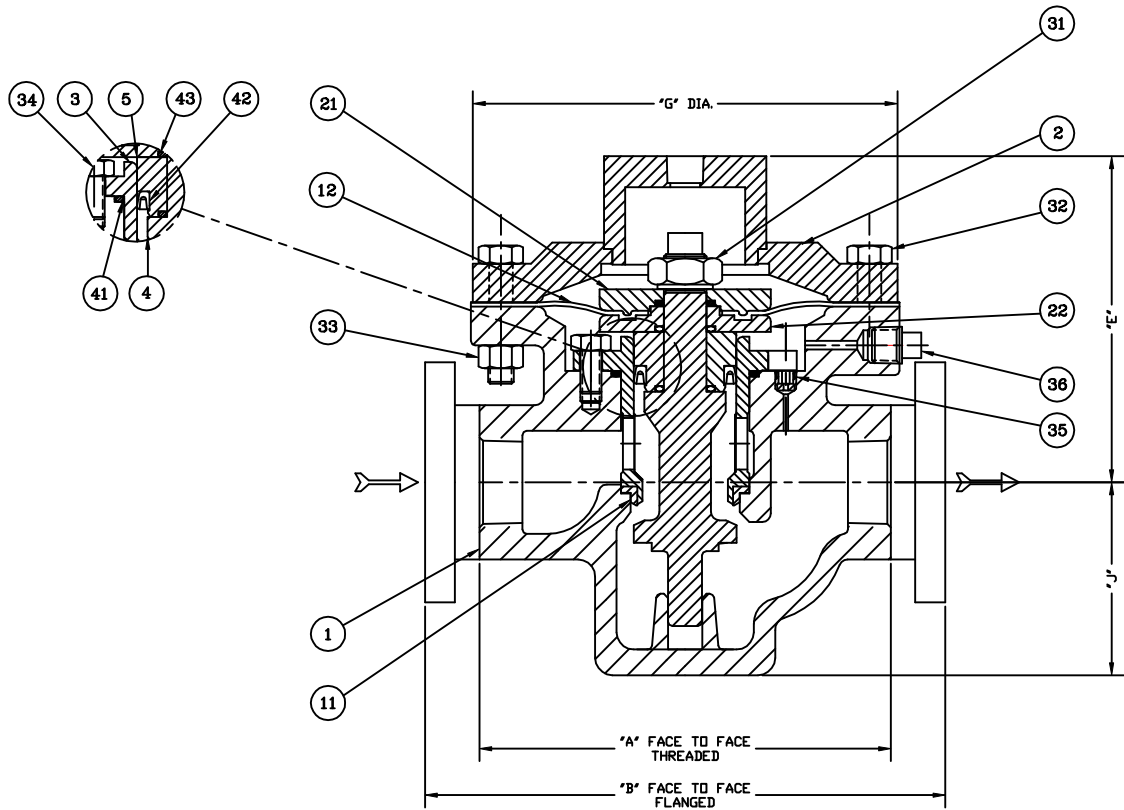


| VALVE SIZE | "A" THREADED ENDS | "B" FLANGED ENDS | | | | | | | | "E" DIM | "G" DIA | "J" DIM |
|------------|-------------------|------------------|----------------|-------------|----------------|----------------|-------------|----------------|-----------------|----------|---------|----------|
| | | 125# C.I./D.I. | 150# C.S./S.S. | 150# BRONZE | 250# C.I./D.I. | 300# C.S./S.S. | 300# BRONZE | 600# C.S./S.S. | 1500# C.S./S.S. | | | |
| 1/2" | 6" | | 8 3/8" | | | 8 3/8" | | 8 3/4" | 11 3/4" | 4 23/32" | 6 1/4" | 2 13/16" |
| 3/4" | 6" | | 8 3/8" | | | 8 3/8" | | 8 3/4" | 11 3/4" | | 6 1/4" | 2 13/16" |
| 1" | 6" | | 8 3/8" | | | 8 3/8" | | 8 3/4" | 11 3/4" | | 6 1/4" | 2 13/16" |
| 1 1/2" | 9 7/8" | | 12 1/2" | | | 12 1/2" | | 13 1/2" | | 5 3/8" | 7" | 3 3/4" |
| 2" | 9 7/8" | | 12 1/2" | | | 12 1/2" | | 13 1/2" | | 5 13/16" | 8" | 4" |
| 3" | | 12" | 12" | 12" | 12 1/2" | 12 1/2" | 12 1/2" | 13 1/4" | | 7 9/32" | 10 3/4" | 5 5/16" |
| 4" | | 14" | 14" | 14" | 14 1/2" | 14 1/2" | 14 1/2" | 15 1/2" | | 7 9/32" | 10 3/4" | 5 5/16" |

| REVISIONS | | | |
|-----------|------------------|----------|---------|
| REV | DESCRIPTION | DATE | INITIAL |
| A | BD DIRECT ACTING | 05/23/17 | QSG |



0.5" THRU 4" BD DIRECT ACTING

| ITEM NO. | QTY REQ. | DESCRIPTION |
|----------|----------|----------------------|
| 43 | 3 | STEM SEAL |
| 42 | 1 | PISTON SEAL |
| 41 | 1 | CYLINDER SEAL |
| 36 | 2 | PIPE PLUG |
| 35 | 1 | INTERNAL PLUG |
| 34 | 3 | CYLINDER BOLT |
| 33 | 8 | BODY NUT |
| 32 | 8 | BODY BOLT |
| 31 | 1 | STEM NUT |
| 22 | 1 | LOWER MEMBRANE PLATE |
| 21 | 1 | UPPER MEMBRANE PLATE |
| 12 | 1 | MEMBRANE |
| 11 | 1 | MACHINED SEAT |
| 5 | 1 | MACHINED PISTON |
| 4 | 1 | MACHINED STEM |
| 3 | 1 | CAST CYLINDER |
| 2 | 1 | DOME ASSEMBLY |
| 1 | 1 | CAST BODY |

| | | | | | | | |
|--|--|----------------|--|----------------------------------|--|-------|--|
| DRAWN BY: QSG | | DATE: 05/23/17 | | DWG NO.: | | REV A | |
| SCALE: N.T.S. | | SHEET: | | BURLING VALVE PORT ARTHUR, TX | | | |
| REGULATOR ASSEMBLY TYPE BD (TYPE 1) 0.5 IN - 4 IN | | | | BD DIRECT ACTING | | | |